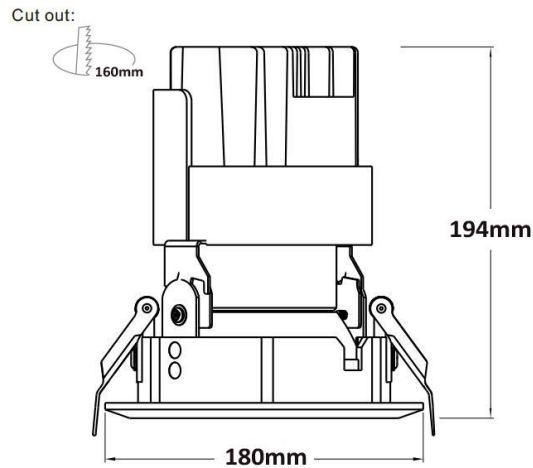


MF COB Down Light Specification

Model NO.: MF-B160036



Fixed COB Series

UGR:19 KN<10% CRI>83



IEC62031
IEC60598-1
IEC60598-2
IEC61347
Comply with Energy Star SSL

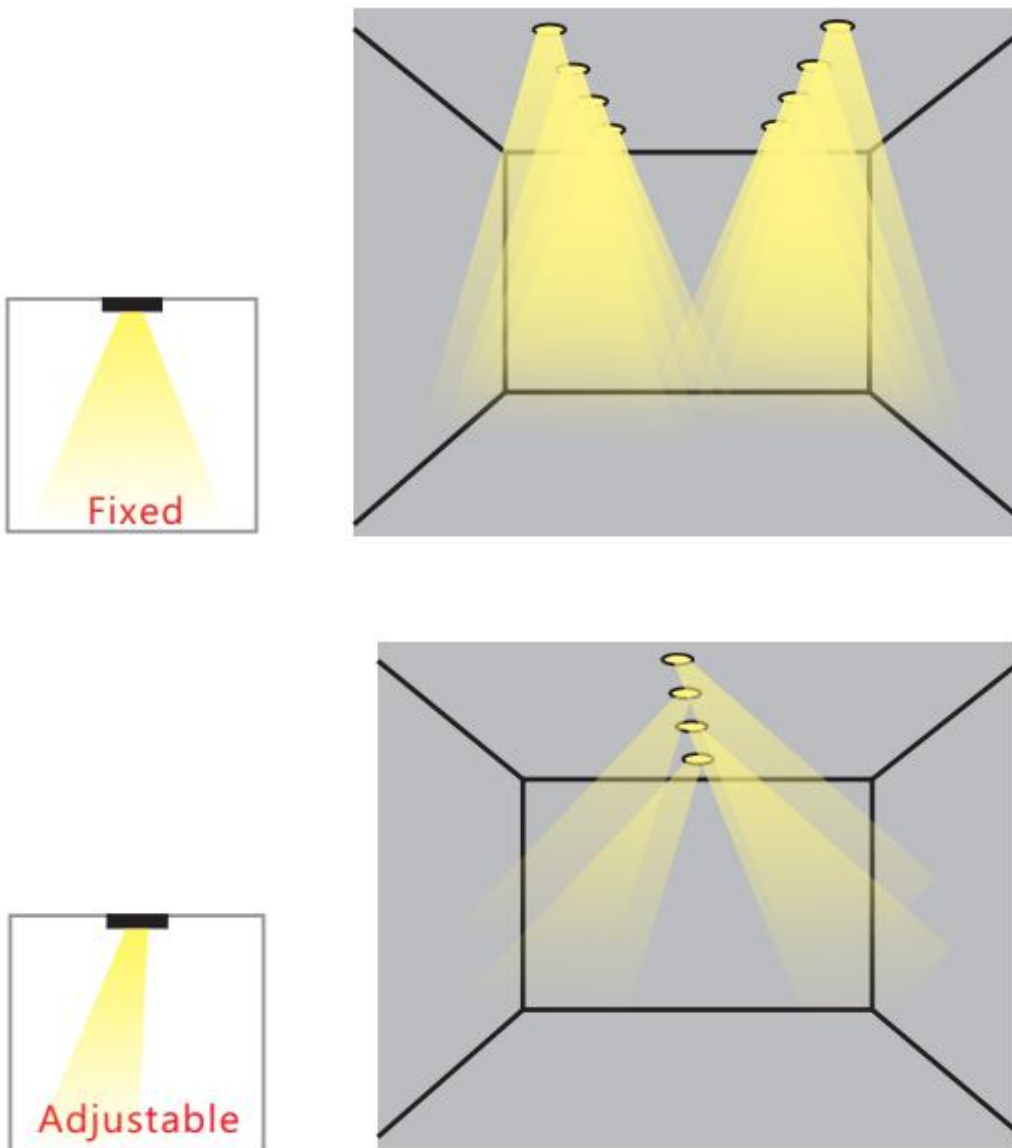
ErP CE



Narrow Beam Angle:



Adjustable/Fixed head available:



Product Parameters:

Input voltage	220-240Vac, 50hz/60hz
Product Size	Φ 180*194mm
Cut out Size	Φ 160mm
Power(watt)	36W
Color temperature	3000K / 4000K / 5000K
LED Chip	Cree COB(CXA1830)
LED Driver	Lifud
PF	≥0.95
Housing Colour	White RAL9003
Luminous Flux (lm)	3300lm@3000K, 3500lm@4000K, 3600lm@5000K
CRI (Ra)	>83
Lifespan	≥50000hrs
Beam Angle	10° / 15° / 24° / 38°
Material	Aluminum Alloy
Operating Temperature	-20°C ~50°C
Head type	Adjustable/Fix head
IP	IP44
Certificate	CE/ RoHS
Warranty Period	5 years

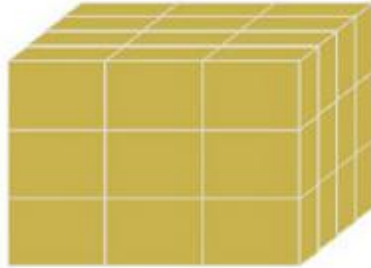
Package:



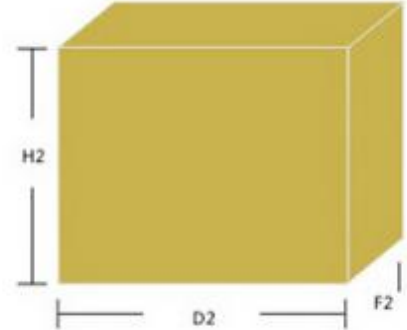
Packing Size: (CM)



20(D1)*20 (F1)*21.5cm(H1)/PCS



12PCS/CTN



64(D2)*43.5(F2)*47cm(H2)/12PCS

N.W: 16.8KG, G.W: 17.8KG

Job reference photos from Ming Feng

